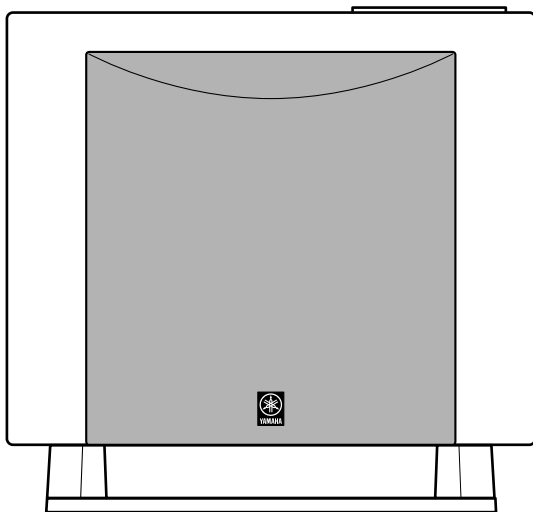


SUBWOOFER SYSTEM YST-FSW100

SERVICE MANUAL



IMPORTANT NOTICE

This manual has been provided for the use of authorized YAMAHA Retailers and their service personnel.

It has been assumed that basic service procedures inherent to the industry, and more specifically YAMAHA Products, are already known and understood by the users, and have therefore not been restated.

WARNING: Failure to follow appropriate service and safety procedures when servicing this product may result in personal injury, destruction of expensive components, and failure of the product to perform as specified. For these reasons, we advise all YAMAHA product owners that any service required should be performed by an authorized YAMAHA Retailer or the appointed service representative.

IMPORTANT: The presentation or sale of this manual to any individual or firm does not constitute authorization, certification or recognition of any applicable technical capabilities, or establish a principle-agent relationship of any form.

The data provided is believed to be accurate and applicable to the unit(s) indicated on the cover. The research, engineering, and service departments of YAMAHA are continually striving to improve YAMAHA products. Modifications are, therefore, inevitable and specifications are subject to change without notice or obligation to retrofit. Should any discrepancy appear to exist, please contact the distributor's Service Division.

WARNING: Static discharges can destroy expensive components. Discharge any static electricity your body may have accumulated by grounding yourself to the ground buss in the unit (heavy gauge black wires connect to this buss).

IMPORTANT: Turn the unit OFF during disassembly and part replacement. Recheck all work before you apply power to the unit.

■ CONTENTS

TO SERVICE PERSONNEL	2
SPECIFICATIONS / 参考仕様	3
INTERNAL VIEW	4
FRONT PANEL	4
REAR PANELS	5~6

DISASSEMBLY PROCEDURES / 分解手順	7~9
BLOCK DIAGRAM	10
PRINTED CIRCUIT BOARD	11
SCHEMATIC DIAGRAM	12
PARTS LIST	13~18



このサービスマニュアルは、エコマーク認定の再生紙を使用しています。
This Service Manual uses recycled paper.

© 2005 YAMAHA CORPORATION All rights reserved.

100957



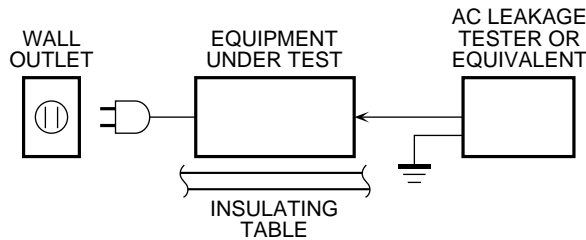
YAMAHA CORPORATION
P.O.Box 1, Hamamatsu, Japan

'05.06

YST-FSW100

■ TO SERVICE PERSONNEL

1. Critical Components Information
Components having special characteristics are marked ⚠ and must be replaced with parts having specifications equal to those originally installed.
2. Leakage Current Measurement (For 120V Models Only)
When service has been completed, it is imperative to verify that all exposed conductive surfaces are properly insulated from supply circuits.
 - Meter impedance should be equivalent to 1500 ohms shunted by 0.15μF.



- Leakage current must not exceed 0.5mA.
- Be sure to test for leakage with the AC plug in both polarities.



“CAUTION”

“F1: FOR CONTINUED PROTECTION AGAINST RISK OF FIRE, REPLACE ONLY WITH SAME TYPE 1.6A, 125V FUSE.”

CAUTION

F1: REPLACE WITH SAME TYPE 1.6A, 125V FUSE.

ATTENTION

F1: UTILISER UN FUSIBLE DE RECHANGE DE MEME TYPE DE 1.6A, 125V.

WARNING: CHEMICAL CONTENT NOTICE!

The solder used in the production of this product contains LEAD. In addition, other electrical/electronic and /or plastic (where applicable) components may also contain traces of chemicals found by the California Health and Welfare Agency (and possibly other entities) to cause cancer and/or birth defects or other reproductive harm.

DO NOT PLACE SOLDER, ELECTRICAL/ELECTRONIC OR PLASTIC COMPONENTS IN YOUR MOUTH FOR ANY REASON WHATSOEVER!

Avoid prolonged, unprotected contact between solder and your skin! When soldering, do not inhale solder fumes or expose eyes to solder/flux vapor!

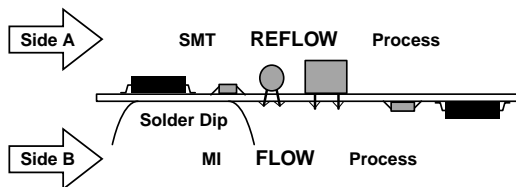
If you come in contact with solder or components located inside the enclosure of this product, wash your hands before handling food.

About Lead Free Solder / 無鉛ハンダについて

The P.C.B.s installed in this unit are soldered using the following solder.

本機に搭載されている基板のハンダ付けに使用されているハンダは下記の通りです。

	SIDE A / A 面	SIDE B / B 面
MAIN P.C.B.	-	Lead Free Solder / 無鉛ハンダ



Among some types of lead free solder currently available, it is recommended to use one of the following types for the repair work.

- Sn + Ag + Cu (tin + silver + copper)
- Sn + Cu (tin + copper)
- Sn + Zn + Bi (tin + zinc + bismuth)

無鉛ハンダにはいくつかの種類がありますが、修理時には下記のような無鉛ハンダの使用を推奨します。

- Sn+Ag+Cu(錫+銀+銅)
- Sn+Cu(錫+銅)
- Sn+Zn+Bi(錫+亜鉛+ビスマス)

Caution:

1. As the melting point temperature of the lead free solder is about 30°C to 40°C (50°F to 70°F) higher than that of the lead solder, be sure to use a soldering iron suitable to each solder.
2. If lead solder must be used, be sure to remove lead free solder from each terminal section of the parts to be replaced and from the area around it completely before soldering, or make sure that the lead free solder and lead solder melt together fully.

注意:

無鉛ハンダの融点温度は通常の鉛入りハンダに比べ30～40程度高くなっていますので、それぞれのハンダに合ったハンダごてをご使用ください。

鉛入りハンダを使わざるを得ない場合は、あらかじめ交換する部品端子部やその周辺部の無鉛ハンダをすべて取り除くか、あるいは無鉛ハンダと鉛入りハンダが十分に溶けた状態となるようにハンダ付けしてください。

■ SPECIFICATIONS / 参考仕様

Type / 型式 Advanced Yamaha Active Servo Technology

Output Power / 出力 (100 Hz, 5 ohms, 10% T.H.D.)
..... 75 W

Input Sensitivity / 入力感度 (50 Hz, 75W / 5 ohms)
INPUT (PJ) 70 mV

Dynamic Power / ダイナミックパワー (5 ohms)
..... 130 W

Input Impedance / 入力インピーダンス
INPUT (PJ) 12 k-ohms

Frequency Response / 再生周波数帯域
..... 30 Hz to 200 Hz

Driver / スピーカーユニット (Magnetic Shielding Type)
..... 16 cm (6.5") Cone Woofer

Input Section / 入力部
INPUT RCA Pin Jack

Operation Section / 操作部
Top Panel Power Switch, Volume Control, LED Indicator
Rear Panel Voltage Selector (R, L models)

Power Supply / 電源
U, C models AC 120 V, 60 Hz
R, L models AC 110-120 / 220-240 V, 50 / 60 Hz
T model AC 220 V, 50 Hz
K model AC 220 V, 60 Hz
A model AC 240 V, 50 Hz
B, G models AC 230 V, 50 Hz
J model AC 100 V, 50 / 60 Hz

Power Consumption / 消費電力
U, C, R, T, K, A, B, G, L models 70 W
J model 45 W

Dimensions / 外形寸法 (W x H x D)
..... 400 x 375 x 157 mm
(15-3/4" x 14-3/4" x 6-3/16")

Weight / 質量
..... 9.0 kg (19 lbs. 13 oz.)

Finish
Silver Color U, C, R, T, K, A, B, G, L, J models
Black Color U, C, R, T, K, A, B, G, L, J models
Cherry Color U, C, R, T, K, A, B, G, L, J models

Accessories / 付属品
..... Subwoofer Cable (5 m) x 1
..... System Control Cable (5 m) x 1 (U, C, J models)

* Specifications are subject to change without notice due to product improvements.

参考仕様および外観は予告なく変更されることがあります。

U U.S.A. model	C Canadian model
R General model	T Chinese model
K Korean model	A Australian model
B British model	G European model
L Singapore model	J Japanese model

Advanced YST

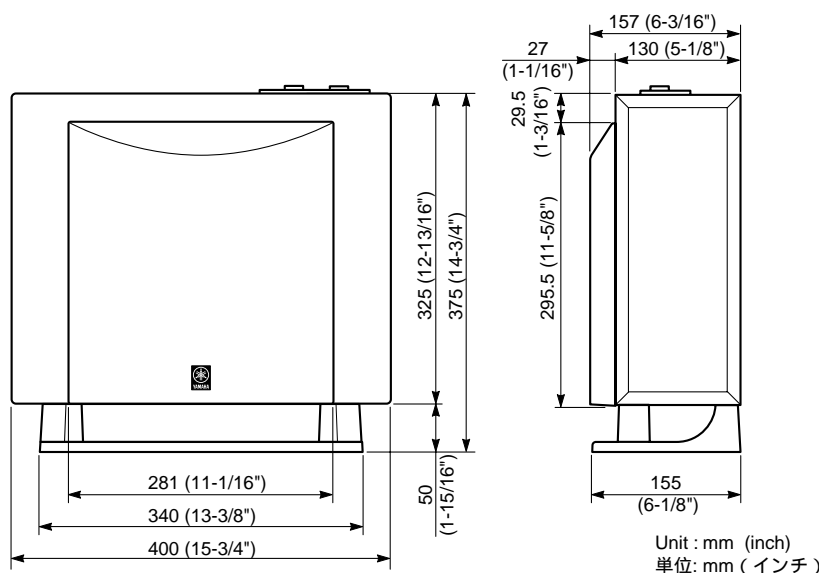
Advanced Yamaha Active Servo Technology is a unique system to let the speaker unit have a perfectly linear motion by the speaker and amplifier combination.



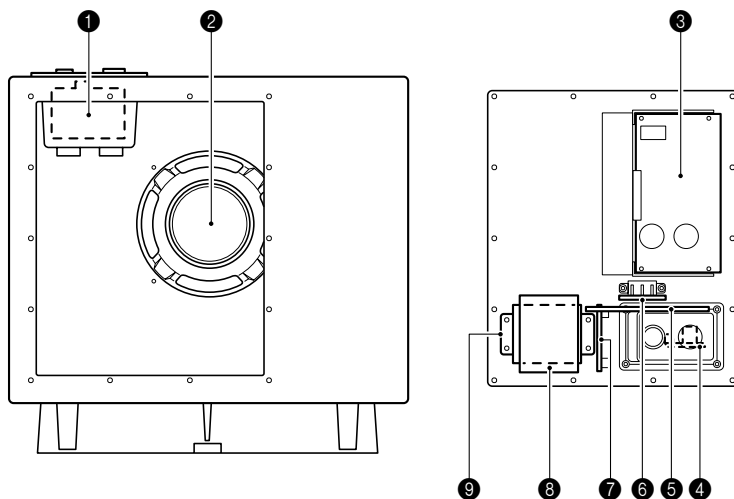
アドバンスドヤマハアクティブサーボテクノロジー

アドバンスドヤマハアクティブサーボテクノロジーは、スピーカーとアンプの組み合わせにより振動板を効率よくスムーズに動かし最大音圧時のリニアリティを大幅に改善したユニークなシステムです。

• DIMENSIONS / 寸法図

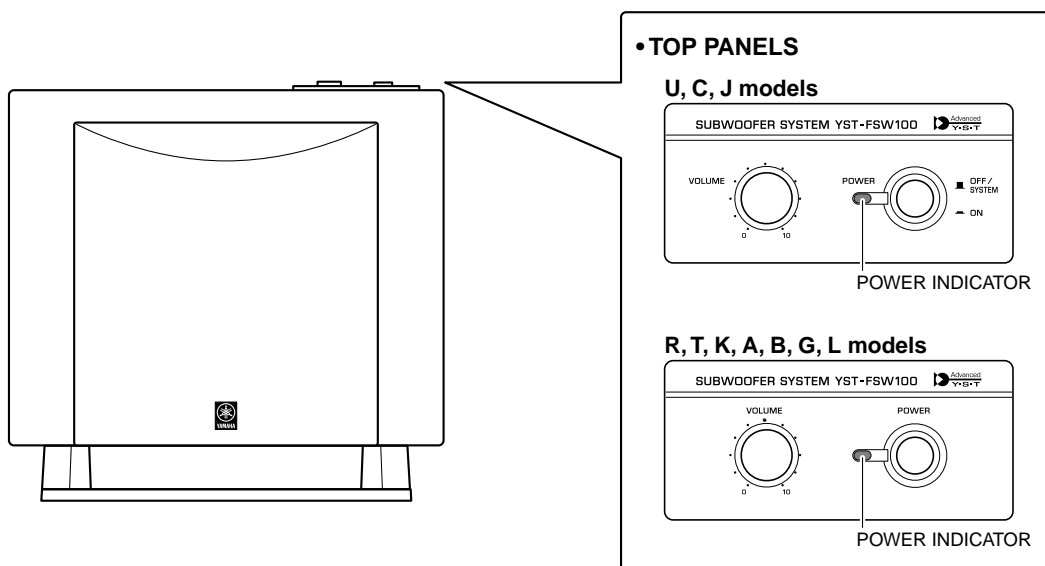


INTERNAL VIEW



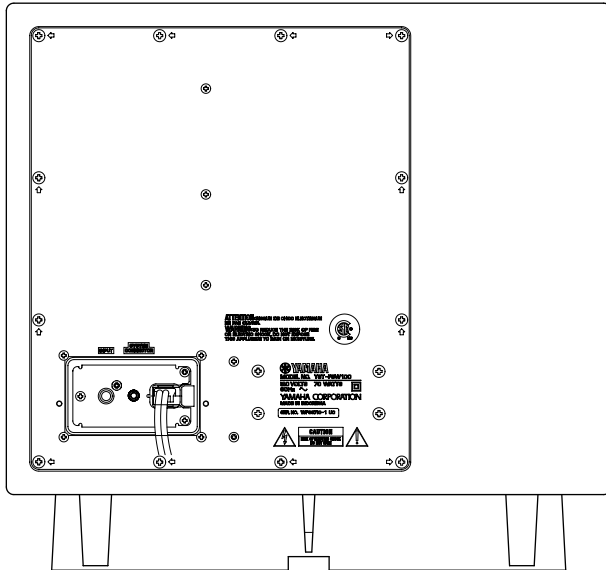
- ① MAIN (3) P.C.B.
- ② DRIVER
- ③ MAIN (1) P.C.B.
- ④ MAIN (4) P.C.B.
- ⑤ MAIN (11) P.C.B.
- ⑥ MAIN (9) P.C.B. (R, L models)
- ⑦ MAIN (2) P.C.B.
- ⑧ MAIN (7) P.C.B. (U, C, T, K, A, B, G, J models)
- ⑨ MAIN (10) P.C.B. (R, L models)
- ⑩ POWER TRANSFORMER

FRONT PANEL

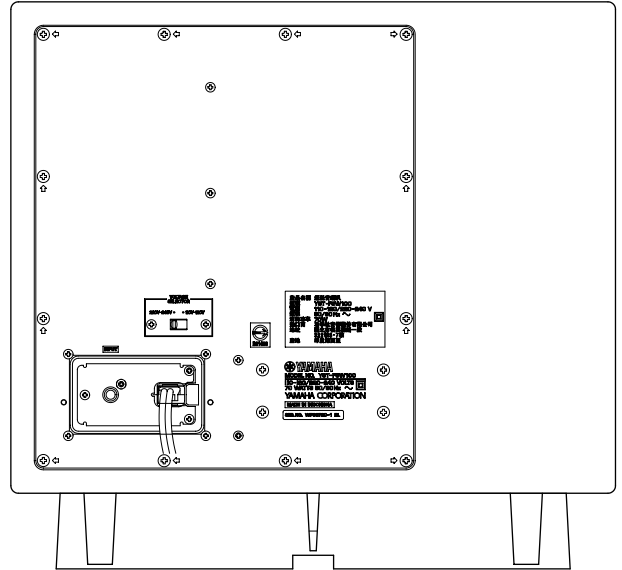


REAR PANELS

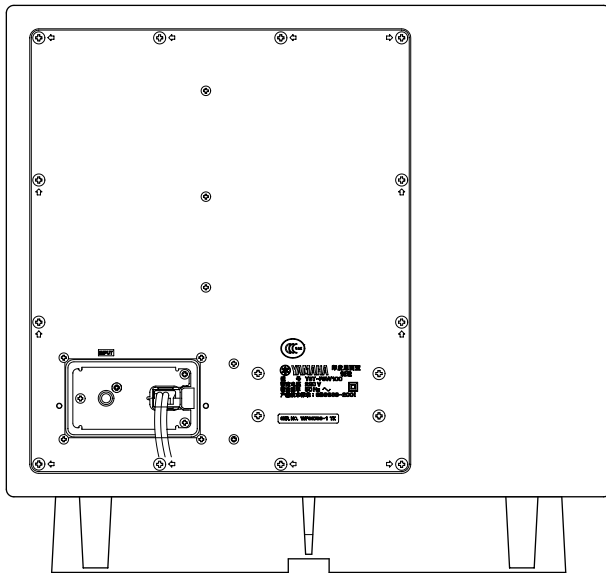
U, C models



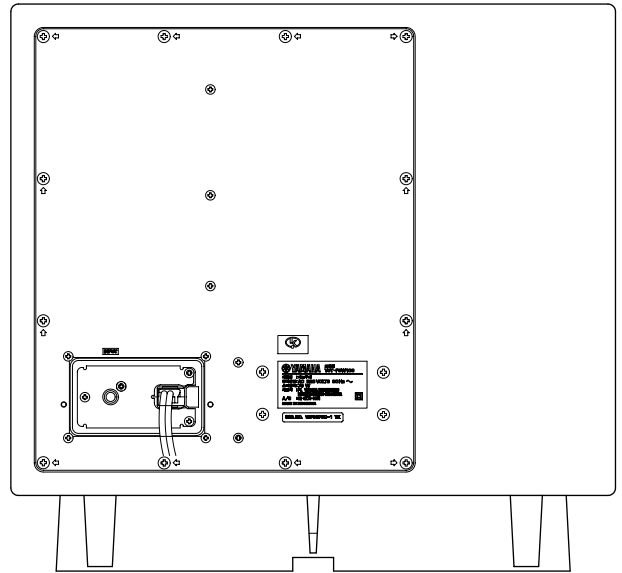
R model



T model

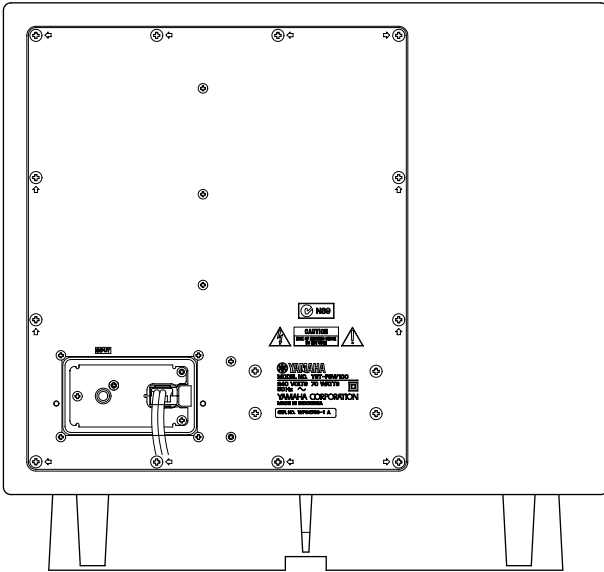


K model

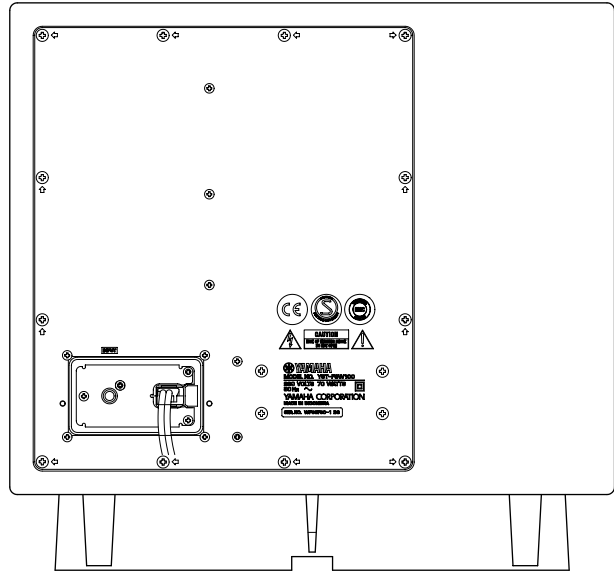


YST-FSW100

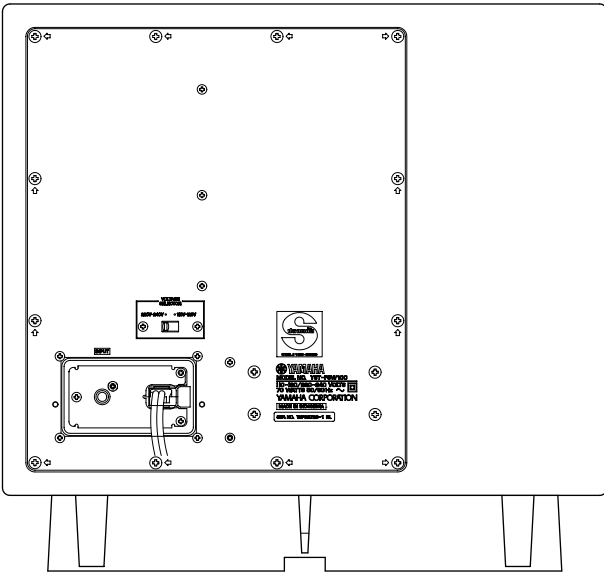
A model



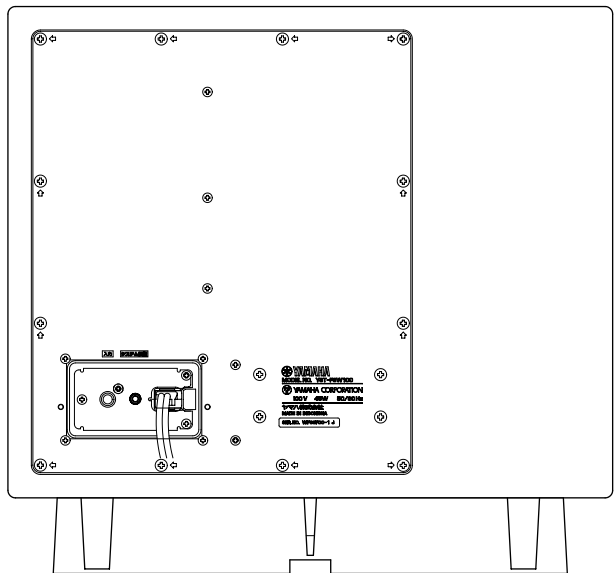
B, G models



L model



J model



YST-FSW100

■ DISASSEMBLY PROCEDURES / 分解手順

(Remove parts in the order as numbered.)

Disconnect the power cable from the AC outlet.

(番号順に部品を取り外してください。)

AC電源コンセントから、電源コードを抜いてください。

1. Removal of Base

- a. Remove 4 screws (1). (Fig. 1)
- b. Remove the Base. (Fig. 1)

1. ベースの外し方

- a. のネジ4本を外します。(Fig. 1)
- b. ベースを取り外します。(Fig. 1)

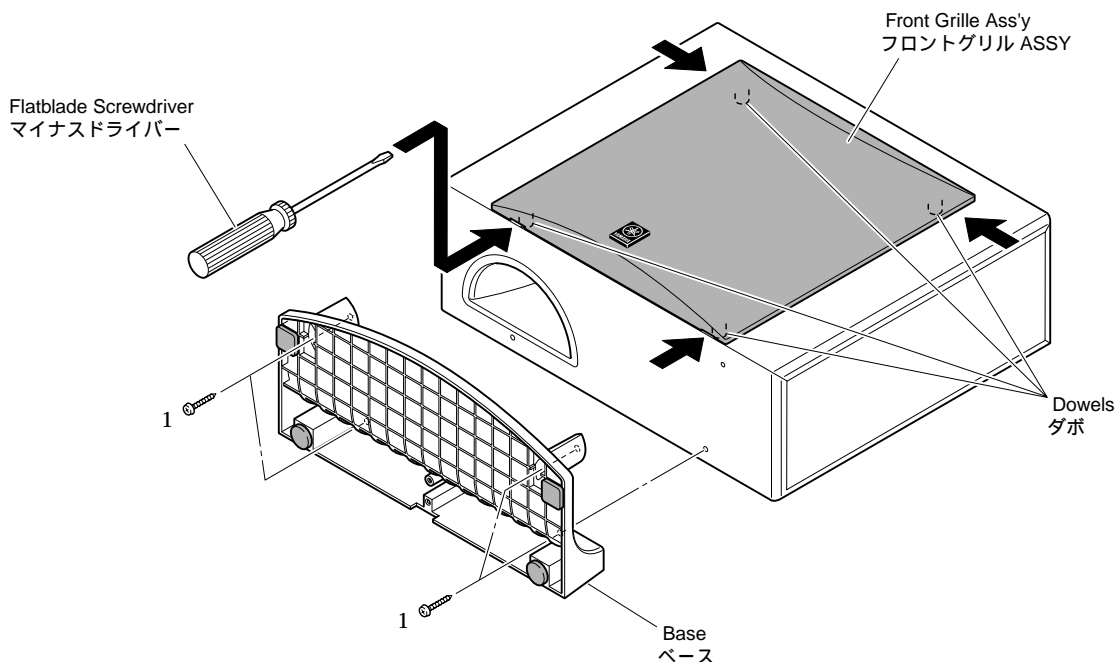


Fig. 1

2. Removal of Front Grille Ass'y

The Front Grille Ass'y is fixed to the cabinet with dowels at 4 locations. As a flatblade screwdriver is used for removal, use special care not to cause damage to the cabinet.

- a. Using the flatblade screwdriver inserted in the gap between the Front Grille Ass'y and the cabinet (bottom side first), push up the Front Grille Ass'y. (Fig. 1)
- b. Remove the Front Grille Ass'y by lifting it up.

* When installing the Front Grille Ass'y, apply quick-drying bond to the dowels and then fit them into dowel holes for secure installation.

(When installing Front Grille Ass'y, its dowels will come off easily if they are inserted into holes without applying quick dry bond or the like.)

2. フロントグリルASSYの外し方

フロントグリルASSYは4箇所のダボでキャビネットに固定されています。取り外しの際、本体に傷が付かないよう十分注意してください。

- a. 底側からマイナスドライバー等を差し込み、フロントグリルASSYを押し上げます。(Fig. 1)
- b. 徐々に上面へマイナスドライバー等で押し上げて、フロントグリルASSYを取り外します。

* 取り付け時には、フロントグリルASSYのダボに速乾ボンドなどを塗って差し込み、固定してください。

(フロントグリルASSYのダボへ速乾ボンドなどを塗らずに差し込むだけでは、簡単に外れてしまいます。)

3. Removal of Driver

- a. Remove 4 screws (2) and then remove the Driver. (Fig. 2)
- b. Disconnect the connector connected to the terminal of the Driver. (Fig. 2)

3. スピーカーユニットの外し方

- a. のネジ4本を外し、スピーカーユニットを引き出します。(Fig. 2)
- b. スピーカーユニットの端子に接続されているコネクタを外します。(Fig. 2)

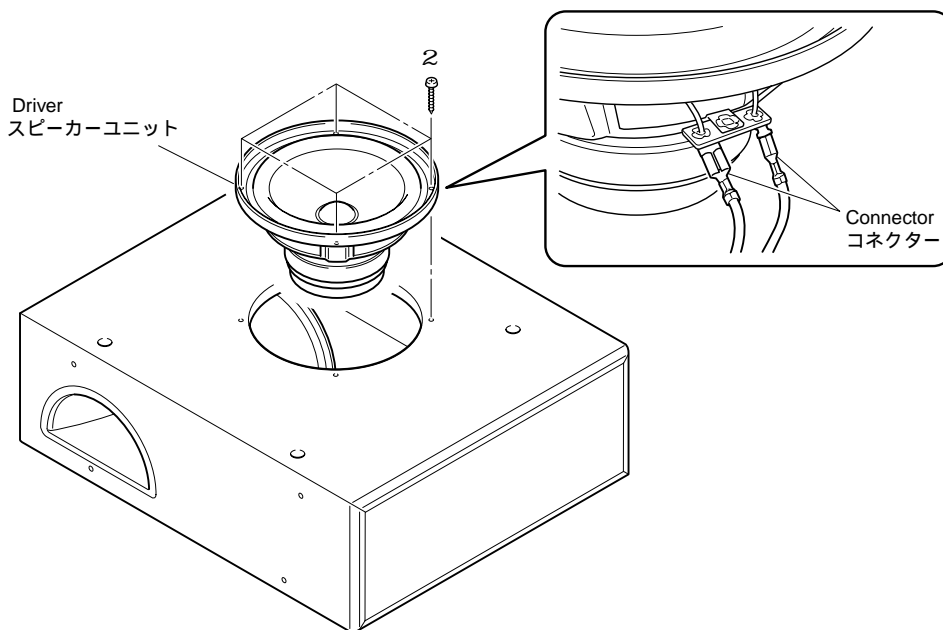


Fig. 2

4. Removal of Rear Panel Ass'y

- Remove 14 screws (3). (Fig. 3)
- * Screws (3) are identified with arrow marks (◀).
- Pull out the Rear Panel Ass'y. (Fig. 3)
 - Remove CB3 and CB12. (Fig. 3)

4. リアパネルASSYの外し方

- のネジ14本を外します。(Fig. 3)
- * 取り外す のネジには矢印 (◀) が印刷されています。
- リアパネルASSYを引き出します。(Fig. 3)
 - CB3、CB12を外します。(Fig. 3)

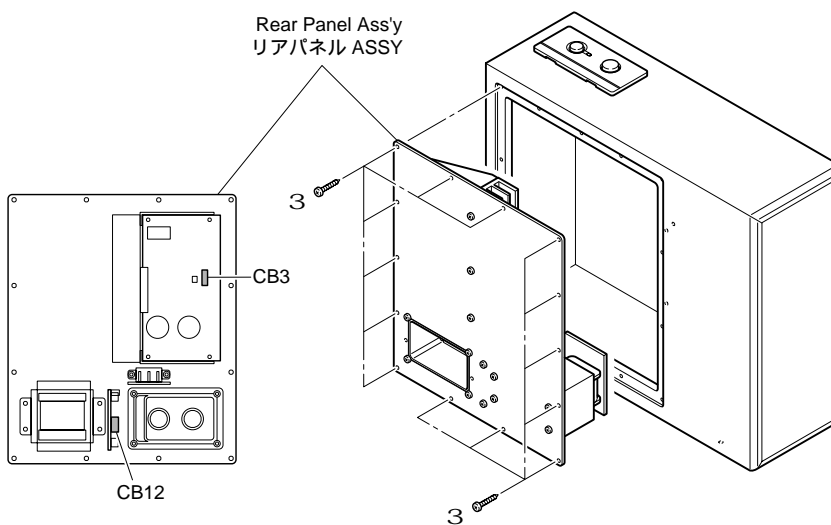


Fig. 3

5. Removal of Top Panel Sub Ass'y

The Top Panel Sub Ass'y is fixed to the Top Panel Ass'y with double sided adhesive tape. As a flatblade screwdriver is used for removal, use special care not to cause damage to the cabinet.

- Using the flatblade screwdriver inserted in the gap between the Front Grille Ass'y and the cabinet (rear side first), push up the Top Panel Sub Ass'y. (Fig. 4)

5. トップパネルサブASSYの外し方

トップパネルサブASSYは両面粘着テープでトップパネルASSYに固定されています。取り外しの際、本体に傷が付かないよう十分注意してください。

- 後側からマイナスドライバー等を差し込み、トップパネルサブASSYを押し上げます。(Fig. 4)

- b. Remove the Top Panel Sub Ass'y by lifting it up.
 * When reinstalling it, remove old double sided adhesive tape from the Top Panel Sub Ass'y and attach new double sided adhesive tape to it to secure installation. (The Top Panel Sub Ass'y will come off easily if it is installed without removing the old double sided adhesive tape. Also, it will come off easily if it is installed without attaching the double sided adhesive tape.)

- b. 徐々に上面へマイナスドライバー等で押し上げて、トップパネルサブASSYを取り外します。
 * 取り付け時には、トップパネルサブASSYの古い両面粘着テープを剥がし、新しい両面粘着テープ(5 mm幅)を貼り固定してください。
 (古い両面粘着テープを剥がさずに取り付けした場合、トップパネルサブASSYは簡単に外れてしまいます。また、両面粘着テープを貼らないで取り付けした場合も同様に、トップパネルサブASSYは簡単に外れてしまいます。)

6. Removal of Top Panel Ass'y

- a. Remove 4 screws (4). (Fig. 4)
 b. Pull out the Top Panel Ass'y. (Fig. 4)

6. トップパネルASSYの外し方

- a. のネジ4本を外します。(Fig. 4)
 b. トップパネルASSYを取り外します。(Fig. 4)

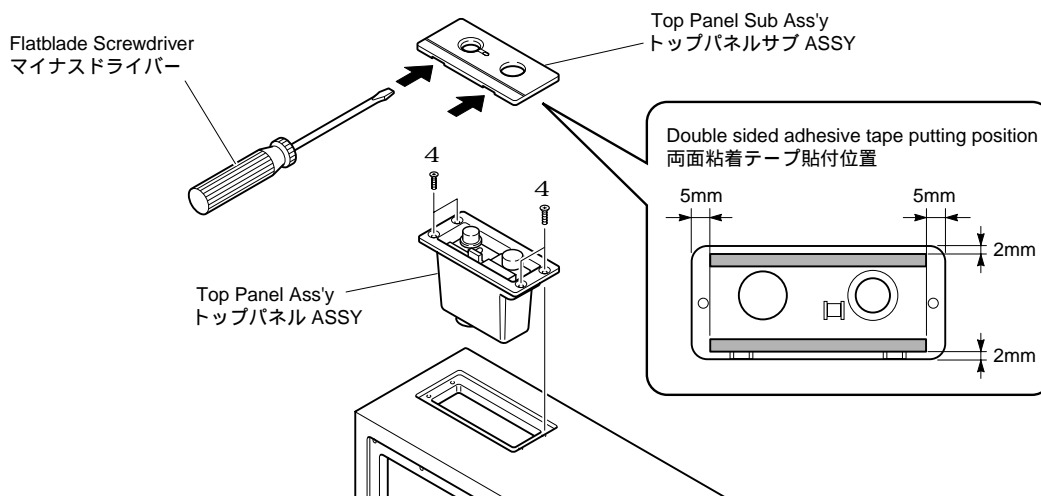


Fig. 4

When Checking the P.C.B.:

- Connect all the connectors removed during disassembly back to the original positions.
- Spread the Rubber sheet and cloth for insulation purpose and place the Rear Panel Ass'y and Top Panel Ass'y on them. (Fig. 5)

P.C.B.チェックをする場合には

- 分解の際に外したコネクタをすべて元通りに接続します。
- 絶縁のためにゴムシートと布を敷き、その上にリアパネルASSYとトップパネルASSYを置いてチェックします。(Fig. 5)

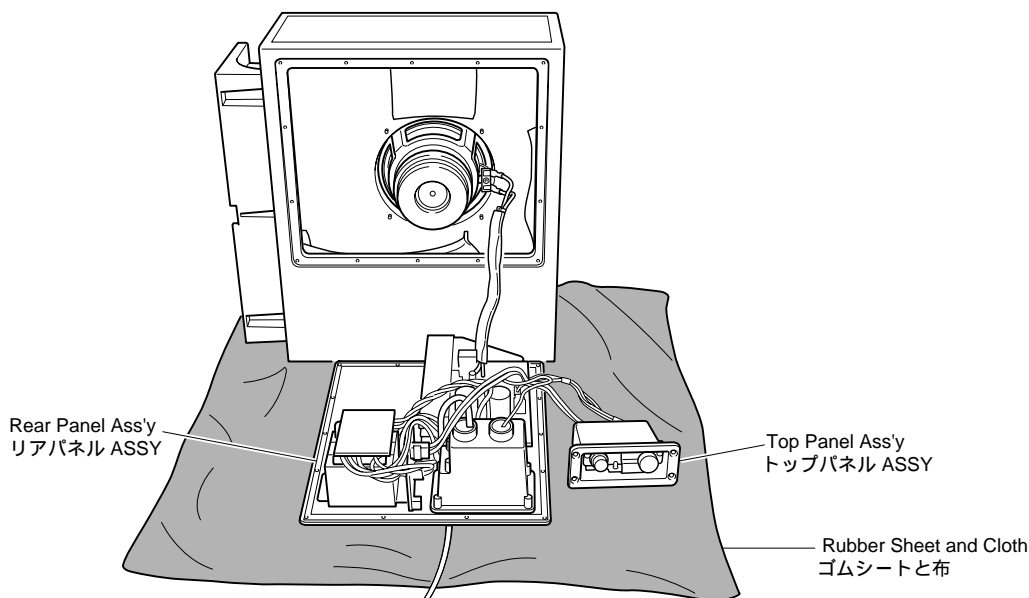
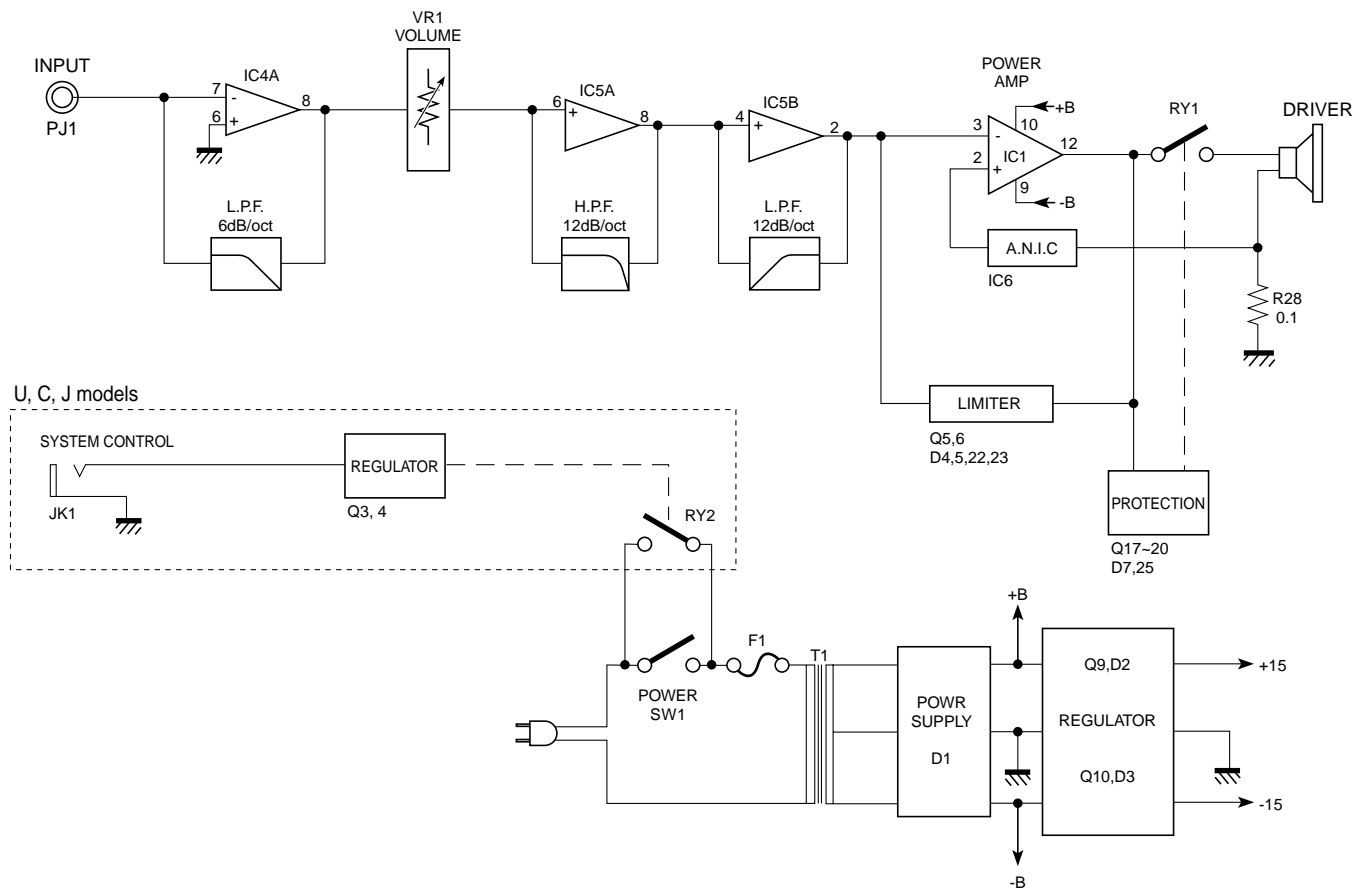


Fig. 5

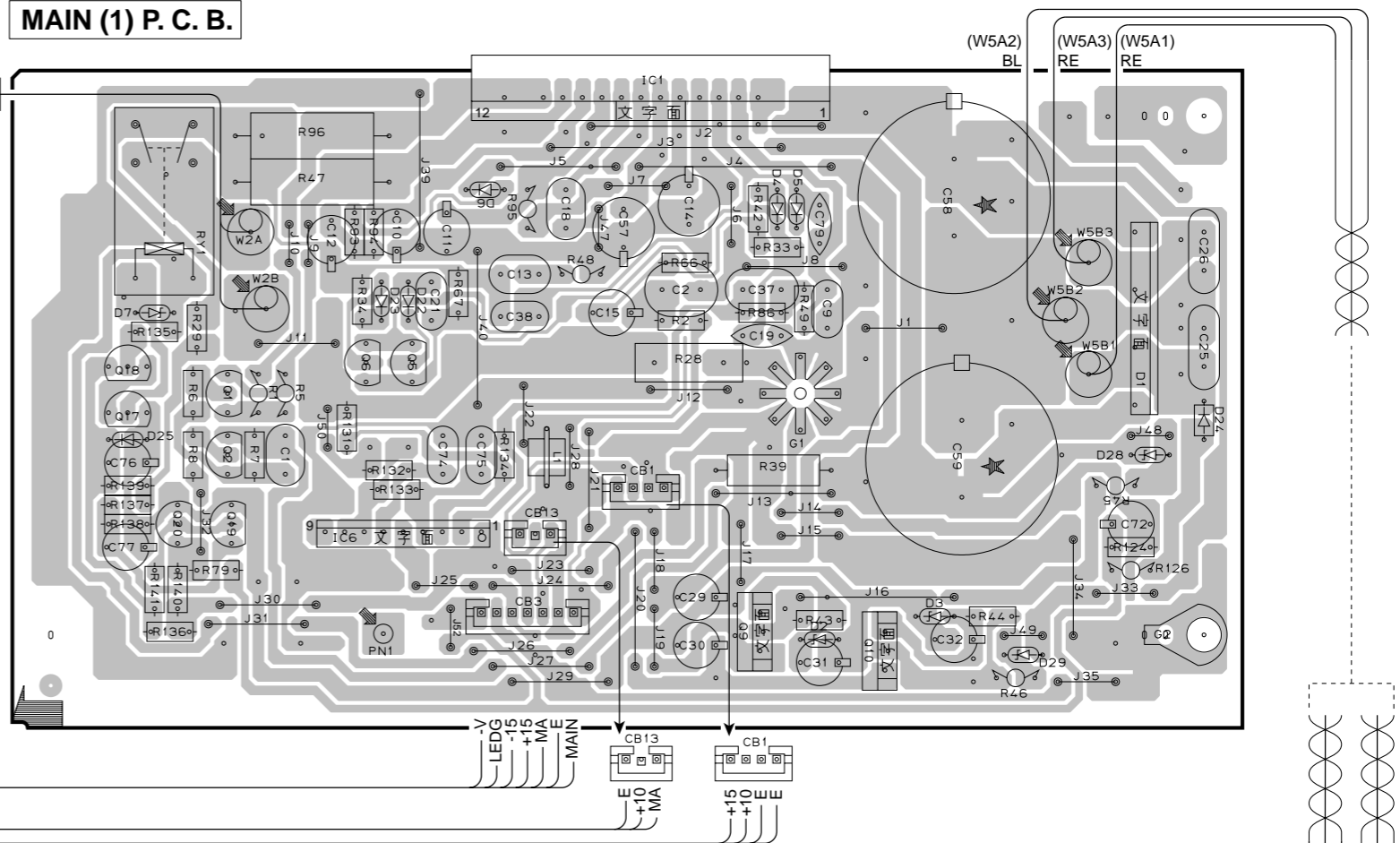
■ BLOCK DIAGRAM



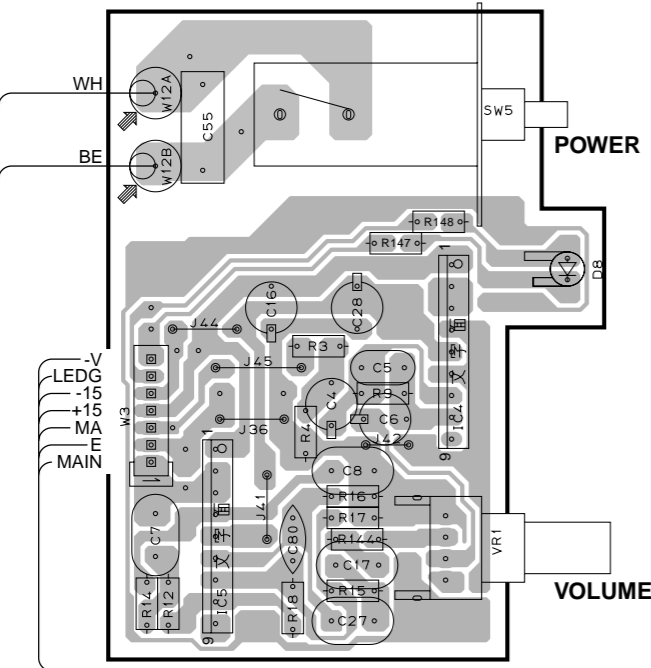
PRINTED CIRCUIT BOARD (Foil side) Lead Free Solder Used

MAIN (1) P. C. B.

DRIVER



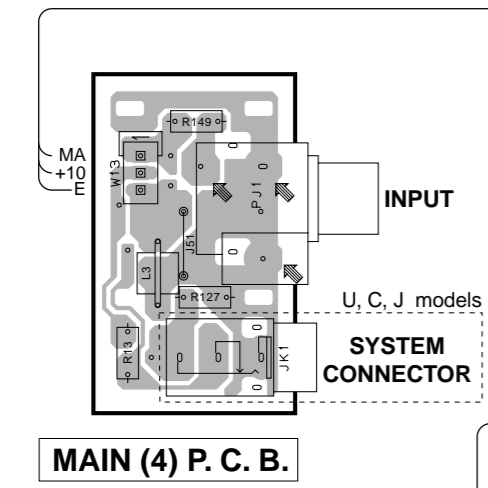
MAIN (3) P. C. B.



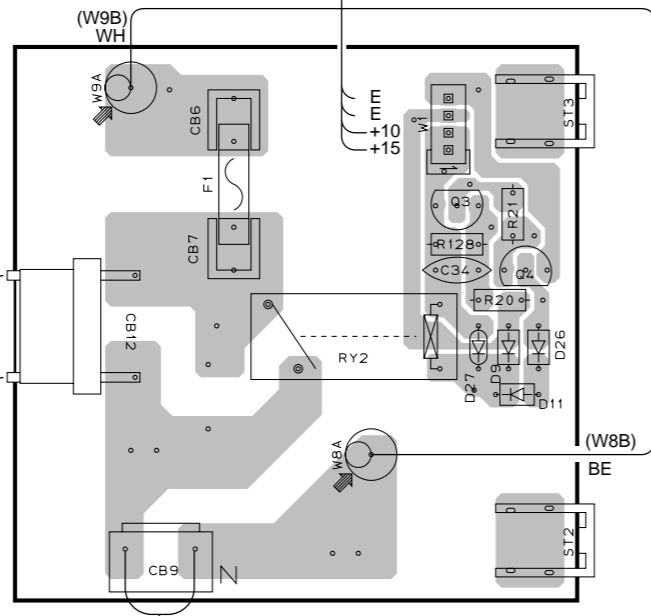
Circuit No.	U, C, J	R, L	K, B, G	T, A
D28, D29	O	X	X	X
J48, 49	X	O	O	O
CB1	O	X	X	X
W1	O	X	X	X
JK1	O	X	X	X
R127	O	X	X	X
R13	O	X	X	X
C79	X	X	O	X
R145, 146	O	X	X	X
Q4	O	X	X	X
Q3	O	X	X	X
D9, 11, 26	O	X	X	X
D27	O	X	X	X
RY2	O	X	X	X
C34	O	X	X	X
R20, 21, 128	O	X	X	X
J28, 51	O	O	X	O
L1, 3	X	X	O	X

• Semiconductor Location

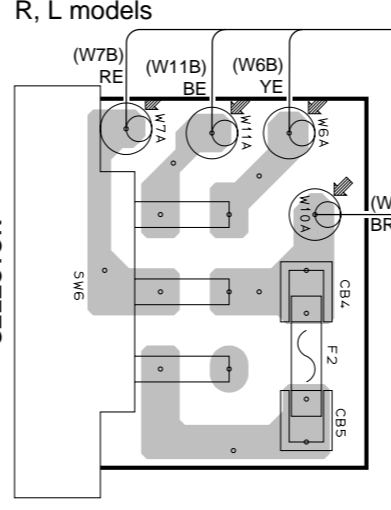
Ref. no.	Location	Ref. no.	Location	Ref. no.	Location	Ref. no.	Location
D1	I2	D11	D6	IC1	G1	Q6	F2
D2	H3	D22	G3	IC4	B3	Q9	H3
D3	I3	D23	F3	IC5	B3	Q10	H3
D4	H2	D24	J3	IC6	F3	Q17	E2
D5	H2	D25	E3	Q1	F2	Q18	E2
D6	G2	D26	D6	Q2	F3	Q19	F3
D7	F2	D27	D6	Q3	D5	Q20	F3
D8	C3	D28	I3	Q4	D5		
D9	D6	D29	I3	Q5	G2		



MAIN (2) P. C. B.

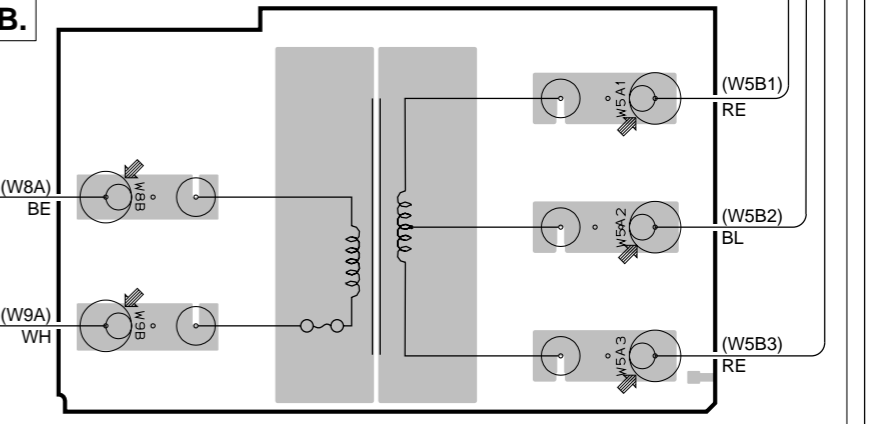


MAIN (9) P. C. B.



MAIN (7) P. C. B.

U, C, T, K, A,
B, G, J models



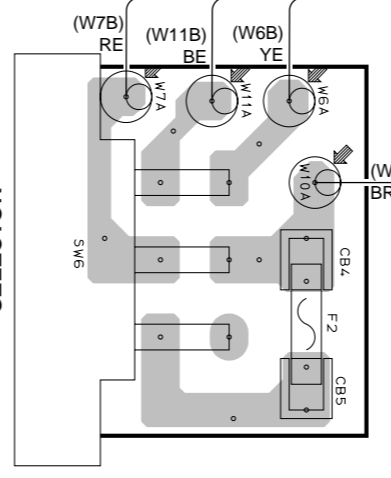
MAIN (11) P. C. B.



VOLTAGE
SELECTOR

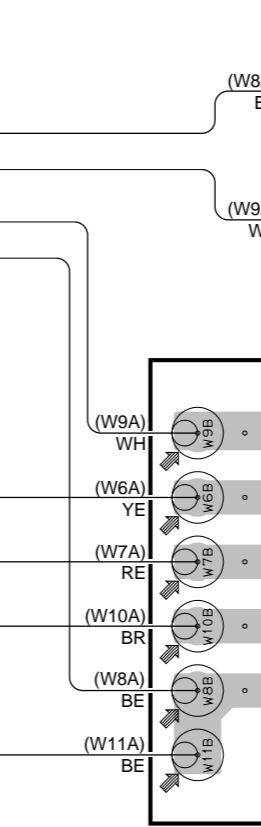
MAIN (9) P. C. B.

R, L models



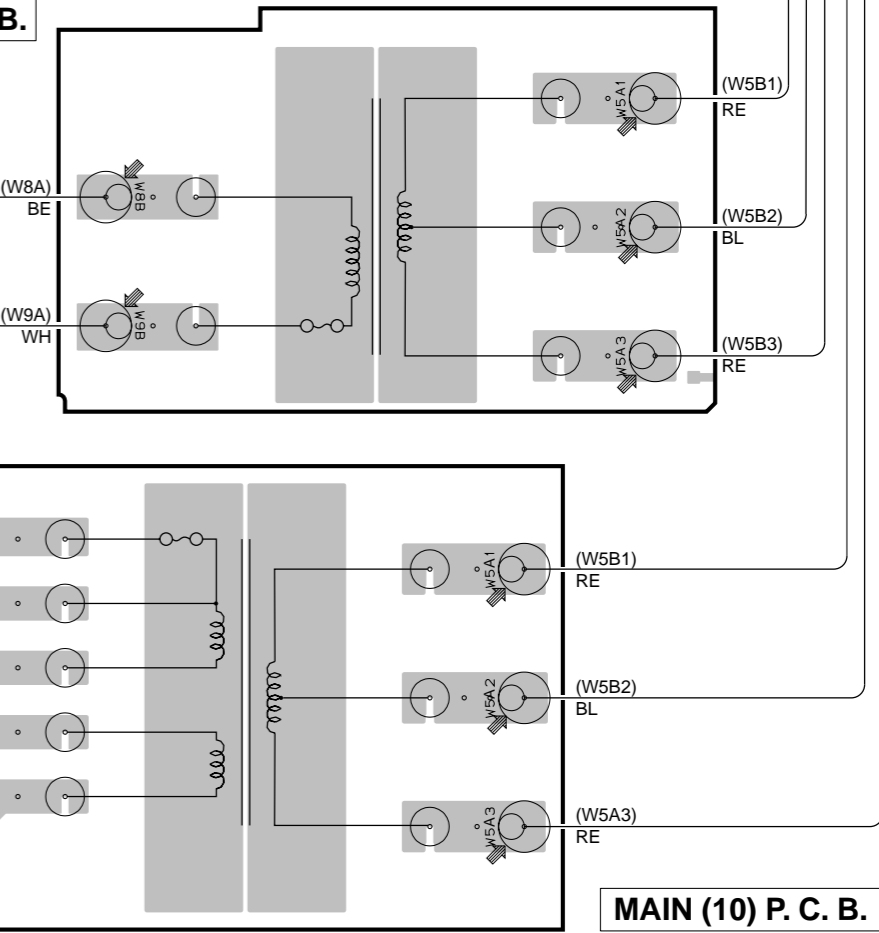
MAIN (7) P. C. B.

U, C, T, K, A,
B, G, J models



MAIN (10) P. C. B.

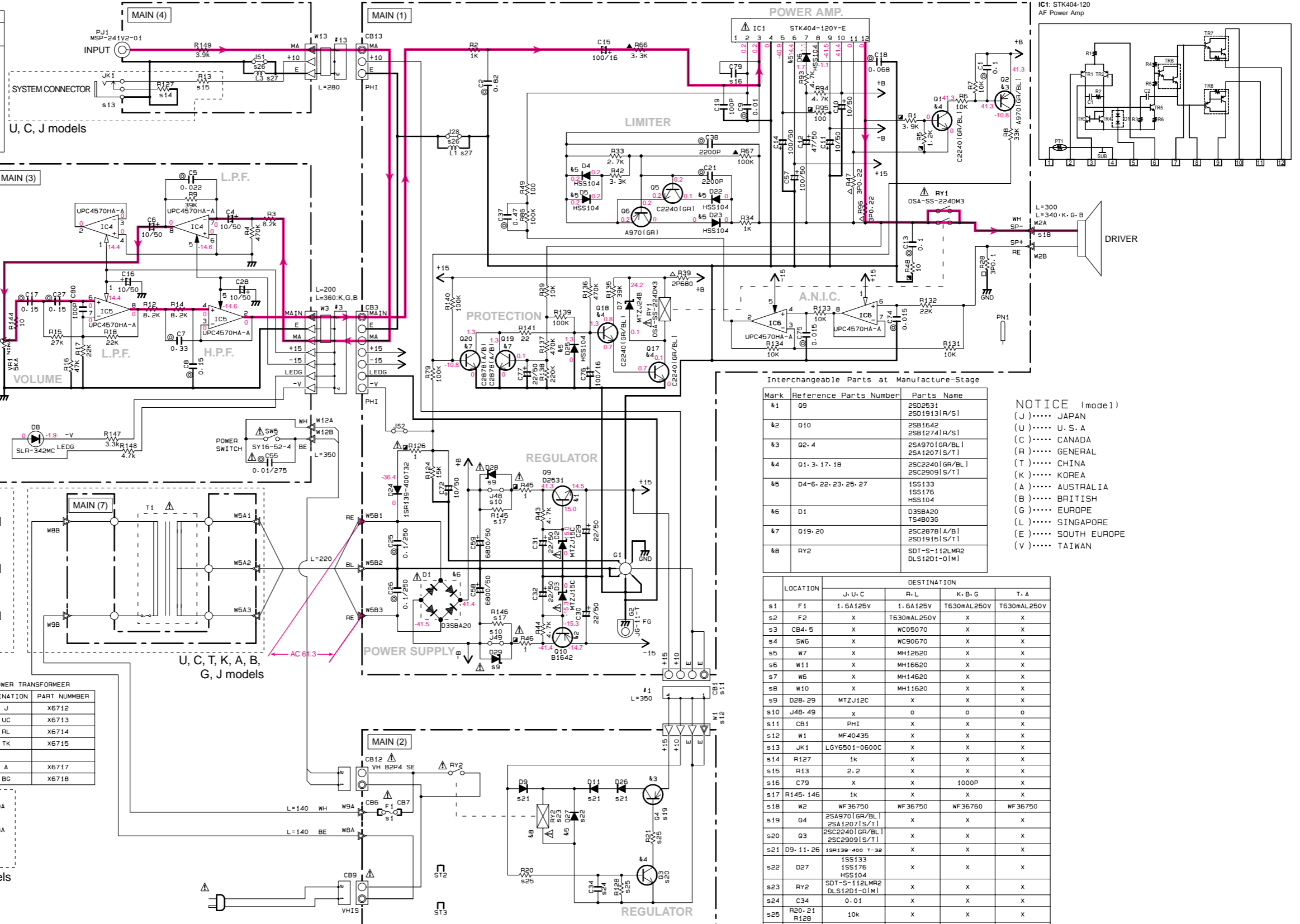
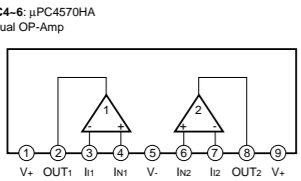
R, L models



SCHEMATIC DIAGRAM

REMARKS	PARTS NAME	SYMBOL
NO MARK	ELECTROLYTIC CAPACITOR	⊖
⊗	TANTALUM CAPACITOR	⊗
NO MARK	CERAMIC CAPACITOR	□
⊙	CERAMIC TUBULAR CAPACITOR	⊙
○	POLYESTER FILM CAPACITOR	○
○	POLYSTYRENE FILM CAPACITOR	○
⊖	MICA CAPACITOR	⊖
⊖	POLYPROPYLENE FILM CAPACITOR	⊖
⊖	SEMICONDUCTIVE CERAMIC CAPACITOR	⊖
⊖	POLYPHENYLENE SULFIDE FILM CAPACITOR	⊖

REMARKS	PARTS NAME	SYMBOL
NO MARK	CARBON FILM RESISTOR (P=5)	□
□	CARBON FILM RESISTOR (P=10)	□
△	METAL OXIDE FILM RESISTOR	△
△	METAL FILM RESISTOR	△
⊗	METAL PLATE RESISTOR	⊗
⊗	FIRE PROOF CARBON FILM RESISTOR	⊗
□	CEMENT MOLDED RESISTOR	□
⊖	SEMI VARIABLE RESISTOR	⊖
⊖	CHIP RESISTOR	⊖

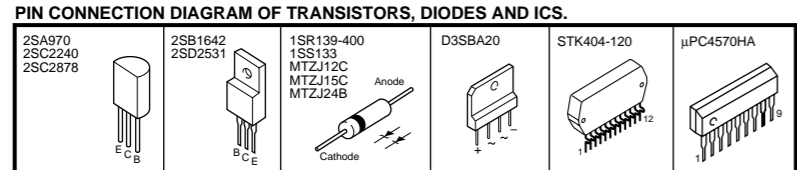


Interchangeable Parts at Manufacture-Stage

Mark	Reference Parts Number	Parts Name
#1	09	2SD2531 2SD1913[R/S]
#2	010	2SB1642 2SB1274[R/S]
#3	02-4	2SA970[GR/BL] 2SA1207[S/T]
#4	01-3, 17, 18	2SC2240[GR/BL] 2SC2909[S/T]
#5	D4-6, 22, 23, 25, 27	1SS133 1SS176 HSS104
#6	D1	D3SBA20 T54B03G
#7	019-20	2SC2878[A/B] 2SD1915[S/T]
#8	RY2	SDT-S-112LMR2 DLS1201-01M1

NOTICE (model)
 (J)..... JAPAN
 (U)..... U. S. A
 (C)..... CANADA
 (R)..... GENERAL
 (T)..... CHINA
 (K)..... KOREA
 (A)..... AUSTRALIA
 (B)..... BRITISH
 (G)..... EUROPE
 (L)..... SINGAPORE
 (E)..... SOUTH EUROPE
 (V)..... TAIWAN

LOCATION	DESTINATION	DESTINATION			
		J-U-C	R-L	K-B-G	T-A
s1	F1	1.6A125V	1.6A125V	T630mAL250V	T630mAL250V
s2	F2	X	T630mAL250V	X	X
s3	CB4, 5	X	WC05070	X	X
s4	SW6	X	WC90670	X	X
s5	W7	X	MH12620	X	X
s6	W11	X	MH16620	X	X
s7	W6	X	MH14620	X	X
s8	W10	X	MH11620	X	X
s9	D28, 29	MTZJ12C	X	X	X
s10	J48, 49	X	o	o	o
s11	CB1	PHI	X	X	X
s12	W1	MF40435	X	X	X
s13	JK1	LGV6501-0600C	X	X	X
s14	R127	1k	X	X	X
s15	R13	2-2	X	X	X
s16	C79	X	X	1000P	X
s17	R145, 146	1k	X	X	X
s18	W2	WF36750	WF36750	WF36750	WF36750
s19	04	2SA970[GR/BL] 2SA1207[S/T]	X	X	X
s20	03	2SC2240[GR/BL] 2SC2909[S/T]	X	X	X
s21	D9, 11, 26	1SR139-400 T-32	X	X	X
s22	D27	1SS133 1SS176 HSS104	X	X	X
s23	RY2	SDT-S-112LMR2 DLS1201-01M1	X	X	X
s24	C34	0.01	X	X	X
s25	R20, 21 R12B	10k	X	X	X
s26	J28, 51	VN50000	VN50000	X	VN50000
s27	L1, 3	X	X	V511780	X



★ All voltages are measured with a 10MΩV DC electronic volt meter.
 ★ Components having special characteristics are marked △ and must be replaced with parts having specifications equal to those originally installed.
 ★ Schematic diagram is subject to change without notice.

電圧は、内部抵抗10MΩの電圧計で測定したものです。
 △印のある部品は、安全性確保部品を示しています。部品の交換が必要な場合、パーツリストに記載されている部品を使用してください。
 本回路図は標準回路図です。改良のため予告なく変更することがございます。

PARTS LIST

■ ELECTRICAL PARTS

■ WARNING

- Components having special characteristics are marked \triangle and must be replaced with parts having specifications equal to those originally installed.
- Carbon resistors (1/6W or 1/4W) are not included in the ELECTRICAL PARTS List. For the parts No. of the carbon resistors, refer to last page.

\triangle 印のある部分は、安全確保部品を示しています。部品の交換が必要な場合、パーツリストに記載されている部品を使用してください。

本機に使用しているカーボン抵抗は1/6Wまたは1/4Wです。このパーツリストには、記載しておりませんので、部品番号がHF45

タイプまたは同等品を使用してください。

部品価格ランクは、予告なく変更することがあります。

ABBREVIATIONS IN THIS LIST ARE AS FOLLOWS:

C.A.EL.CHP	: CHIP ALUMI.ELECTROLYTIC CAP	L.EMIT	: LIGHT EMITTING MODULE
C.CE	: CERAMIC CAP	LED.DSPLY	: LED DISPLAY
C.CE.ARRAY	: CERAMIC CAP ARRAY	LED.INFRD	: LED,INFRARED
C.CE.CHP	: CHIP CERAMIC CAP	MODUL.RF	: MODULATOR,RF
C.CE.ML	: MULTILAYER CERAMIC CAP	PHOT.CPL	: PHOTO COUPLER
C.CE.M.CHP	: CHIP MULTILAYER CERAMIC CAP	PHOT.INTR	: PHOTO INTERRUPTER
C.CE.SAFY	: RECOGNIZED CERAMIC CAP	PHOT.RFLCT	: PHOTO REFLECTOR
C.CE.TUBLR	: CERAMIC TUBULAR CAP	PIN.TEST	: PIN,TEST POINT
C.CE.SMI	: SEMI CONDUCTIVE CERAMIC CAP	PLST.RIVET	: PLASTIC RIVET
C.EL	: ELECTROLYTIC CAP	R.ARRAY	: RESISTOR ARRAY
C.MICA	: MICA CAP	R.CAR.	: CARBON RESISTOR
C.ML.FLM	: MULTILAYER FILM CAP	R.CAR.CHP	: CHIP RESISTOR
C.MP	: METALLIZED PAPER CAP	R.CAR.FP	: FLAME PROOF CARBON RESISTOR
C.MYLAR	: MYLAR FILM CAP	R.FUS	: FUSABLE RESISTOR
C.MYLAR.ML	: MULTILAYER MYLAR FILM CAP	R.MTL.CHP	: CHIP METAL FILM RESISTOR
C.PAPER	: PAPER CAPACITOR	R.MTL.FLM	: METAL FILM RESISTOR
C.PLS	: POLYSTYRENE FILM CAP	R.MTL.OXD	: METAL OXIDE FILM RESISTOR
C.POL	: POLYESTER FILM CAP	R.MTL.PLAT	: METAL PLATE RESISTOR
C.POLY	: POLYETHYLENE FILM CAP	RSNR.CE	: CERAMIC RESONATOR
C.PP	: POLYPROPYLENE FILM CAP	RSNR.CRYS	: CRYSTAL RESONATOR
C.TNTL	: TANTALUM CAP	R.TW.CEM	: TWIN CEMENT FIXED RESISTOR
C.TNTL.CHP	: CHIP TANTALUM CAP	R.WW	: WIRE WOUND RESISTOR
C.TRIM	: TRIMMER CAP	SCR.BND.HD	: BIND HEAD B-TITE SCREW
CN	: CONNECTOR	SCR.BW.HD	: BW HEAD TAPPING SCREW
CN.BS.PIN	: CONNECTOR,BASE PIN	SCR.CUP	: CUP TITE SCREW
CN.CANNON	: CONNECTOR,CANNON	SCR.TERM	: SCREW TERMINAL
CN.DIN	: CONNECTOR,DIN	SCR.TR	: SCREW,TRANSISTOR
CN.FLAT	: CONNECTOR,FLAT CABLE	SUPRT.PCB	: SUPPORT,P.C.B.
CN.POST	: CONNECTOR,BASE POST	SURG.PRTCT	: SURGE PROTECTOR
COIL.MX.AM	: COIL,AM MIX	SW.TACT	: TACT SWITCH
COIL.AT.FM	: COIL,FM ANTENNA	SW.LEAF	: LEAF SWITCH
COIL.DT.FM	: COIL,FM DETECT	SW.LEVER	: LEVER SWITCH
COIL.MX.FM	: COIL,FM MIX	SW.MICRO	: MICRO SWITCH
COIL.OUTPT	: OUTPUT COIL	SW.PUSH	: PUSH SWITCH
DIOD.ARRAY	: DIODE ARRAY	SW.RT.ENC	: ROTARY ENCODER
DIODE.BRG	: DIODE BRIDGE	SW.RT.MTR	: ROTARY SWITCH WITH MOTOR
DIODE.CHP	: CHIP DIODE	SW.RT	: ROTARY SWITCH
DIODE.VAR	: VARACTOR DIODE	SW.SLIDE	: SLIDE SWITCH
DIOD.Z.CHP	: CHIP ZENER DIODE	TERM.SP	: SPEAKER TERMINAL
DIODE.ZENR	: ZENER DIODE	TERM.WRAP	: WRAPPING TERMINAL
DSCR.CE	: CERAMIC DISCRIMINATOR	THRMST.CHP	: CHIP THERMISTOR
FER.BEAD	: FERRITE BEADS	TR.CHP	: CHIP TRANSISTOR
FER.CORE	: FERRITE CORE	TR.DGT	: DIGITAL TRANSISTOR
FET.CHP	: CHIP FET	TR.DGT.CHP	: CHIP DIGITAL TRANSISTOR
FL.DSPLY	: FLUORESCENT DISPLAY	TRANS	: TRANSFORMER
FLTR.CE	: CERAMIC FILTER	TRANS.PULS	: PULSE TRANSFORMER
FLTR.COMB	: COMB FILTER MODULE	TRANS.PWR	: POWER TRANSFORMER ASS'Y
FLTR.LC.RF	: LC FILTER,EMI	TUNER.AM	: TUNER PACK,AM
GND.MTL	: GROUND PLATE	TUNER.FM	: TUNER PACK,FM
GND.TERM	: GROUND TERMINAL	TUNER.PK	: FRONT-ENDTUNER PACK
HOLDER.FUS	: FUSE HOLDER	VR	: ROTARY POTENTIOMETER
IC.PRTCT	: IC PROTECTOR	VR.MTR	: POTENTIOMETER WITH MOTOR
JUMPER.CN	: JUMPER CONNECTOR	VR.SW	: POTENTIOMETER WITH ROTARY SW
JUMPER.TST	: JUMPER,TEST POINT	VR.SLIDE	: SLIDE POTENTIOMETER
L.DTCT	: LIGHT DETECTING MODULE	VR.TRIM	: TRIMMER POTENTIOMETER

P.C.B. MAIN

Ref No.	Part No.	Description	Remarks	Markets	部 品 名	Rank	
*	WF356200	P.C.B.	MAIN	JUC	P C B メイン		
*	WF356300	P.C.B.	MAIN	RL	P C B メイン		
*	WF356500	P.C.B.	MAIN	TA	P C B メイン		
*	WF356400	P.C.B.	MAIN	KBG	P C B メイン		
	CB1	VB390000	CN.BS.PIN		JUC	ベースピン	01
	CB3	VB390300	CN.BS.PIN			ベースピン	01
	CB4-5	WC050700	CLIP.FUSE		RL	ヒューズクリップ	01
	CB6-7	WC050700	CLIP.FUSE			ヒューズクリップ	01
△	CB9	VG879900	CN.BS.PIN			ベースピン	01
* △	CB12	WF469600	CN.BS.PIN			ベースポスト	
	CB13	VB389900	CN.BS.PIN			ベースピン	01
	C1	UA655100	C.MYLAR			マイラーコン	01
	C2	VR169500	C.MYLAR			マイラーコン	01
	C4	UR867100	C.EL			ケミコン	01
	C5	UA654220	C.MYLAR			マイラーコン	01
	C6	UR867100	C.EL			ケミコン	01
	C7	UA655330	C.MYLAR			マイラーコン	01
	C8	UA655150	C.MYLAR			マイラーコン	02
	C9	UA654100	C.MYLAR			マイラーコン	01
	C10-11	UR867100	C.EL			ケミコン	01
	C12	UR867470	C.EL			ケミコン	01
	C13	UA655100	C.MYLAR			マイラーコン	01
	C14	UR868100	C.EL			ケミコン	01
	C15	UR838100	C.EL			ケミコン	01
	C16	UR867100	C.EL			ケミコン	01
	C17	UA655150	C.MYLAR			マイラーコン	02
	C18	UA654680	C.MYLAR			マイラーコン	01
	C19	FG652100	C.CE			セラコン	01
	C21	UA653220	C.MYLAR			マイラーコン	01
	C25-26	WB540200	C.POL.MTL			メタライズドポリコン	
	C27	UA655150	C.MYLAR			マイラーコン	02
	C28	UR867100	C.EL			ケミコン	01
	C29-32	UR867220	C.EL			ケミコン	01
	C34	FG644100	C.CE		JUC	セラコン	01
	C37	UA655470	C.MYLAR			マイラーコン	01
	C38	UA653220	C.MYLAR			マイラーコン	01
△	C55	V6185300	C.CE.SAFTY			規格認定コン	
	C57	UR868100	C.EL			ケミコン	01
	C58-59	V3757300	C.EL			ケミコン	06
	C72	UR867100	C.EL			ケミコン	01
	C74-75	UA654150	C.MYLAR			マイラーコン	01
	C76	UR838100	C.EL			ケミコン	01
	C77	UR867220	C.EL			ケミコン	01
	C79	FG613100	C.CE		KBG	セラコン	01
	C80	FG652100	C.CE			セラコン	01
△	D1	VN011300	DIODE.BRG			ダイオード	03
△	D2-3	VG440900	DIODE.ZENR			ツェナーダイオード	01
	D4-6	VD631600	DIODE			ダイオード	01
	D7	VG442500	DIODE.ZENR			ツェナーダイオード	01
*	D8	VR745300	LED			L E D	01
	D9	VU264100	DIODE		JUC	ダイオード	01
	D11	VU264100	DIODE		JUC	ダイオード	01
	D22-23	VD631600	DIODE			ダイオード	01
	D24	VU264100	DIODE			ダイオード	01
	D25	VD631600	DIODE			ダイオード	01
	D26	VU264100	DIODE		JUC	ダイオード	01

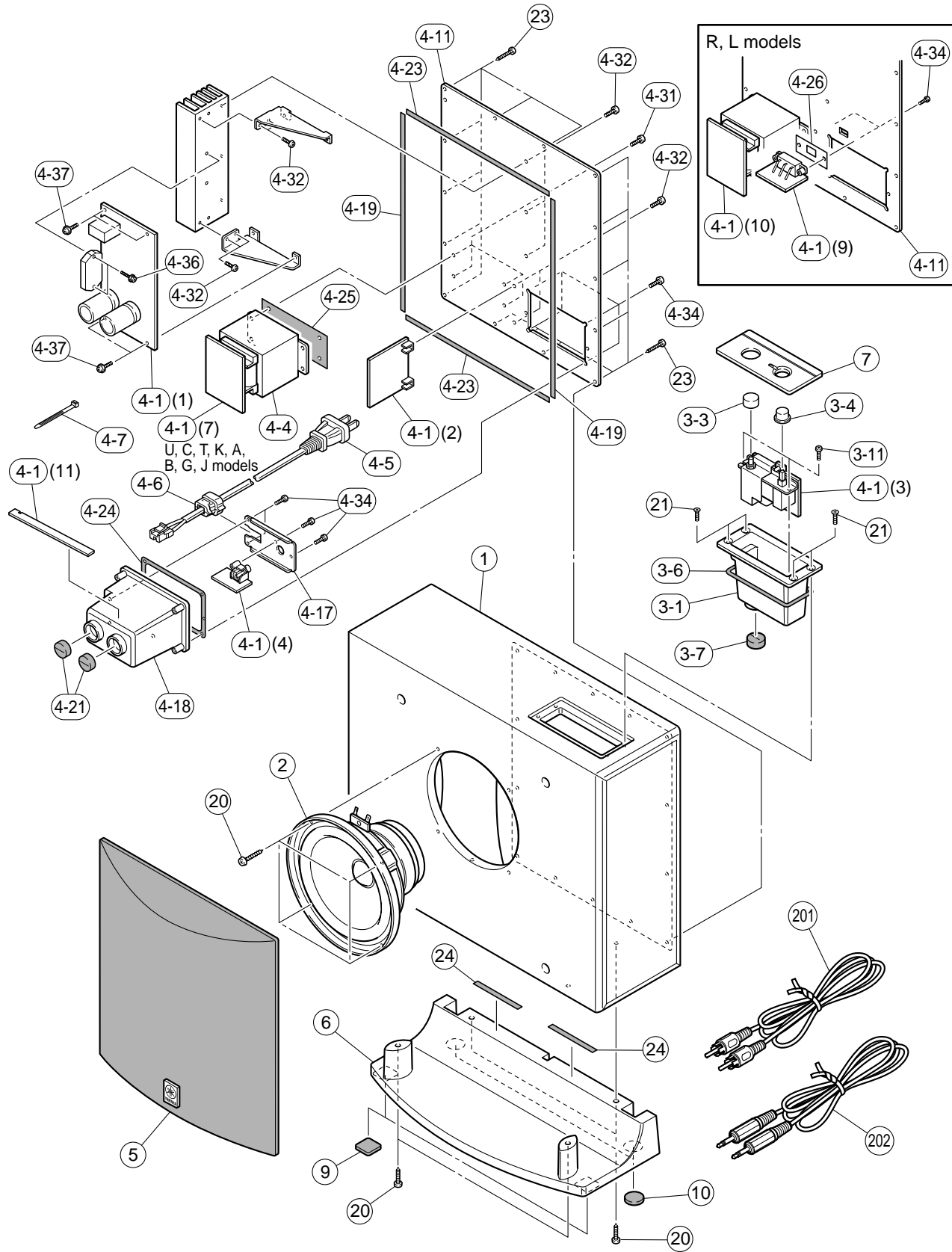
* New Parts * 新規部品

P.C.B. MAIN

Ref No.	Part No.	Description	Remarks	Markets	部 品 名	Rank	
	D27	VD631600	DIODE	1SS133,176	JUC	ダイオード	01
△	D28-29	VG440300	DIODE.ZENR	MTZJ12C 12V	JUC	ツェナーダイオード	01
△	F1	VS822400	FUSE	1.6A 125V	JUCRL	ヒューズ	01
△	F1	KB002600	FUSE	T630mA 250V	TKABG	ヒューズ	02
△	F2	KB002600	FUSE	T630mA 250V	RL	ヒューズ	02
	G1	V5995800	PLATE.GND			アースプレート	
	G2	V7235100	CN.GND	JG-11-T		接地端子	
△	IC1	X3830A00	IC	STK404-120 120W		アンプ IC	08
	IC4-6	XB247A00	IC	uPC4570HA-A		IC	01
	JK1	VJ726800	JACK.MNI	LGY6501-0600C	JUC	モノラルミニジャック	01
*	PJ1	WF342300	JACK.PIN	MSP-241V2		ピンジャック 1P	
	PN1	WB543700	PIN	WB54370 L=70 #18		スタイルピン	
	Q1	iC224030	TR	2SC2240 GR,BL		トランジスタ	01
	Q2	iA097030	TR	2SA970 GR,BL		トランジスタ	01
	Q3	iC224030	TR	2SC2240 GR,BL	JUC	トランジスタ	01
	Q4	iA097030	TR	2SA970 GR,BL	JUC	トランジスタ	01
*	Q5	WF612700	TR	2SC2240 GR		トランジスタ	
	Q6	iA097040	TR	2SA970 GR		トランジスタ	01
	Q9	V6896700	TR	2SD2531		トランジスタ	03
	Q10	V6896500	TR	2SB1642		トランジスタ	04
	Q17-18	iC224030	TR	2SC2240 GR,BL		トランジスタ	01
	Q19-20	iC287820	TR	2SC2878 A,B		トランジスタ	01
	R1	HV756390	R.CAR.FP	3.9K 1/4W		不燃化カーボン抵抗	01
	R5	HV756120	R.CAR.FP	1.2K 1/4W		不燃化カーボン抵抗	01
	R28	V6022600	R.WW	0.1 3W		セメント抵抗	
	R39	VC761000	R.MTL.OXD	680 2W		酸化金属被膜抵抗	01
△	R45-46	HV753100	R.CAR.FP	1 1/4W		不燃化カーボン抵抗	01
	R47	VZ092500	R.MTL.OXD	0.22 3W		酸化金属被膜抵抗	01
	R48	HV754100	R.CAR.FP	10 1/4W		不燃化カーボン抵抗	01
	R66	HB026330	R.MTL.FLM	3.3K 1/4W		金属被膜抵抗	01
	R67	HB028100	R.MTL.FLM	100K 1/4W		金属被膜抵抗	
	R95	HV755100	R.CAR.FP	100 1/4W		不燃化カーボン抵抗	01
	R96	VZ092500	R.MTL.OXD	0.22 3W		酸化金属被膜抵抗	01
△	R126	HV753100	R.CAR.FP	1 1/4W		不燃化カーボン抵抗	01
△	RY1	VU161600	RELAY	DC OSA-SS-224DM3		リレー 24V	05
△	RY2	V6017400	RELAY	DC SDT-S-112LMR2	JUC	リレー 12V	04
	ST2-3	V4040500	SCR.TERM	M3		スクリュー/ターミナル	01
△	SW5	V8377400	SW.POWER	SY16-52-4		パワースイッチ	
△	SW6	WC906700	SW.SLIDE	SDKPA40300	RL	スライドSW	06
*	VR1	WF340600	VR	A 5K		ロータリーVR	

* New Parts * 新規部品

EXPLODED VIEW



MECHANICAL PARTS

Ref No.	Part No.	Description	Remarks	Markets	部 品 名	Rank
*	1	WG003100	CABINET ASS'Y	CH	キャビネットASSY	
*	1	WG003000	CABINET ASS'Y	BL	キャビネットASSY	
*	1	WG002800	CABINET ASS'Y	SI	キャビネットASSY	
*	2	X2323B00	DRIVER WOOFER	JA1689	スピーカーユニット	
*	3-1	WF336200	SW COVER		SWカバー	
*	3-3	WF337900	VOLUME KNOB	CH,SI	ボリュームノブ	
*	3-3	WF336500	VOLUME KNOB	BL	ボリュームノブ	
*	3-4	WF404500	POWER KNOB	CH,SI	パワーノブ	
*	3-4	WA217100	POWER KNOB	BL	パワーノブ	
*	3-6	WF343100	PACKING D		パッキン D	
*	3-7	WC736000	BUSH		ブッシュ	
*	3-11	EP630660	BIND HEAD P-TIGHT SCREW	3x10 MFZN2BL	バインドPタイトネジ	01
*	4-1	WF356200	P.C.B. ASS'Y	MAIN	P C B メイン	
*	4-1	WF356300	P.C.B. ASS'Y	MAIN	P C B メイン	
*	4-1	WF356500	P.C.B. ASS'Y	MAIN	P C B メイン	
*	4-1	WF356400	P.C.B. ASS'Y	MAIN	P C B メイン	
*△	4-4	X6712A00	POWER TRANSFORMER	J	電源トランス	
*△	4-4	X6713A00	POWER TRANSFORMER	UC	電源トランス	
*△	4-4	X6714A00	POWER TRANSFORMER	RL	電源トランス	
*△	4-4	X6715A00	POWER TRANSFORMER	TK	電源トランス	
*△	4-4	X6717A00	POWER TRANSFORMER	A	電源トランス	
*△	4-4	X6718A00	POWER TRANSFORMER	BG	電源トランス	
*△	4-5	V4007600	POWER CABLE	J	電源コード	
*△	4-5	V9293500	POWER CABLE	UC	電源コード	
*△	4-5	WC992700	POWER CABLE	R	電源コード	
*△	4-5	VZ542500	POWER CABLE	T	電源コード	
*△	4-5	WC753000	POWER CABLE	K	電源コード	
*△	4-5	WC743700	POWER CABLE	A	電源コード	
*△	4-5	VV437300	POWER CABLE	B	電源コード	
*△	4-5	V9293600	POWER CABLE	GL	電源コード	
*	4-6	V2438700	CORD STOPPER		コードストッパー	
*	4-7	CB069250	BINDING TIE	BK-1	束線止め	01
*	4-11	WF337000	REAR PANEL	J	リアパネル	
*	4-11	WF337100	REAR PANEL	UC	リアパネル	
*	4-11	WF337200	REAR PANEL	RL	リアパネル	
*	4-11	WF337300	REAR PANEL	TK	リアパネル	
*	4-11	WF337500	REAR PANEL	A	リアパネル	
*	4-11	WF337600	REAR PANEL	BG	リアパネル	
*	4-17	WF713500	SUB CHASSIS A	JUC	サブシャーシA	
*	4-17	WF336800	SUB CHASSIS	RTKABGL	サブシャーシ	
*	4-18	WF336300	COVER		カバー	
*	4-19	WF342800	PACKING A		パッキン A	
*	4-21	WC736000	BUSH		ブッシュ	
*	4-23	WF342900	PACKING B		パッキン B	
*	4-24	WF343000	PACKING C		パッキン C	
*	4-25	WF630800	PACKING E		パッキン E	
*	4-26	WF874300	GASKET	RL	ガスケット	
*	4-31	V6655200	BIND HEAD S-TIGHT SCREW	4x8 MFZN2BL	バインドSタイトネジ	
*	4-32	EP600190	BIND HEAD B-TIGHT SCREW	3x8 MFZN2BL	バインドBタイトネジ	01
*	4-34	EP630660	BIND HEAD P-TIGHT SCREW	3x10 MFZN2BL	バインドPタイトネジ	01
*	4-36	WE774600	SCREW IC	3x18 MFZN2W3	スクリュー IC	
*	4-37	VT669300	PW HEAD B-TIGHT SCREW	3x8-8 MFC2	PWヘッドBタイトネジ	
*	5	WF355600	FRONT GRILLE ASS'Y	CH	FグリルASSY	
*	5	WF355500	FRONT GRILLE ASS'Y	BL	FグリルASSY	
*	5	WF355400	FRONT GRILLE ASS'Y	SI	FグリルASSY	
*	6	WF404800	BASE	CH,BL	ベース	
*	6	WF335900	BASE	SI	ベース	

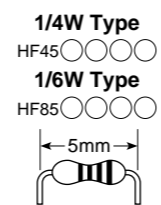
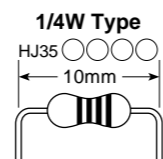
* New Parts * 新規部品

Ref No.	Part No.	Description	Remarks	Markets	部 品 名	Rank
*	7	WF713700	TOP PANEL SUB ASS'Y	CH,SI	トップパネルサブASSY	
*	7	WF404300	TOP PANEL SUB ASS'Y	CH,SI	トップパネルサブASSY	
*	7	WF714000	TOP PANEL SUB ASS'Y	BL	トップパネルサブASSY	
*	7	WF404400	TOP PANEL SUB ASS'Y	BL	トップパネルサブASSY	
*	9	WF755800	NONSKID PAD		滑止パッド	
*	10	WF755900	NONSKID PAD		滑止パッド	
*	20	WE995000	BIND HEAD TAPPING SCREW	4x18 MFZN2W3	バインドT Pネジ	
*	21	WF683300	FLAT HEAD WOOD SCREW	3.1x16 MFZN2W3	+皿木ネジ	
*	23	EP040070	BIND HEAD TAPPING SCREW	4x20 MFZN2BL	バインドT Pネジ	01
*	24	WF630700	PACKING F	70x6 t=1.0	パッキン F	
		ACCESSORIES			付属品	
	201	WB918400	SUBWOOFER CABLE	1P 5m 1pc	サブウーファーケーブル	
	202	WB918300	SYSTEM CONTROL CABLE	1P BLACK 5m 1pc	システム接続ケーブル	

* New Parts * 新規部品

Parts List for Carbon Resistors

Value	1/4W Type Part No.	1/6W Type Part No.	Value	1/4W Type Part No.	1/6W Type Part No.
1.0 Ω	HJ35 3100	HF85 3100	10 kΩ	HF45 7100	HF45 7100
1.8 Ω	HJ35 3180	*	11 kΩ	HF45 7110	HF45 7110
2.2 Ω	HJ35 3220	HF85 3220	12 kΩ	HJ35 7120	HF85 7120
3.3 Ω	HJ35 3330	HF85 3330	13 kΩ	HF45 7130	HF45 7130
4.7 Ω	HJ35 3470	HF85 3470	15 kΩ	HF45 7150	HF45 7150
5.6 Ω	HJ35 3560	HF85 3560	18 kΩ	HF45 7180	HF45 7180
10 Ω	HF45 4100	HF45 4100	22 kΩ	HF45 7220	HF45 7220
15 Ω	HJ35 4150	HF85 4150	24 kΩ	HF45 7240	HF45 7240
22 Ω	HF45 4220	HF45 4220	27 kΩ	HJ35 7270	HF85 7270
27 Ω	HJ35 4270	HF85 4270	30 kΩ	HF45 7300	HF45 7300
33 Ω	HF45 4330	HF45 4330	33 kΩ	HF45 7330	HF45 7330
39 Ω	HJ35 4470	HF85 4390	36 kΩ	HF45 7360	HF45 7360
47 Ω	HF45 4470	HF45 4470	39 kΩ	HF45 7390	HF45 7390
56 Ω	HF45 4560	HF45 4560	47 kΩ	HF45 7470	HF45 7470
68 Ω	HF45 4680	HF45 4680	51 kΩ	HF45 7510	HF45 7510
75 Ω	HF45 4750	HF45 4750	56 kΩ	HF45 7560	HF45 7560
82 Ω	HF45 4820	HF45 4820	62 kΩ	HF45 7620	HF45 7620
91 Ω	HF45 4910	HF45 4910	68 kΩ	HF45 7680	HF45 7680
100 Ω	HF45 5100	HF45 5100	82 kΩ	HF45 7820	HF45 7820
110 Ω	HJ35 5110	HF85 5110	91 kΩ	HF45 7910	HF45 7910
120 Ω	HF45 5120	HF45 5120	100 kΩ	HF45 8100	HF45 8100
150 Ω	HF45 5150	HF45 5150	110 kΩ	HF45 8110	HF45 8110
160 Ω	HJ35 5160	*	120 kΩ	HF45 8120	HF45 8120
180 Ω	HF45 5180	HF45 5180	150 kΩ	HF45 8150	HF45 8150
200 Ω	HF45 5200	HF45 5200	180 kΩ	HF45 8180	HF45 8180
220 Ω	HF45 5220	HF45 5220	220 kΩ	HJ35 8220	HF85 8220
270 Ω	HF45 5270	HF45 5270	270 kΩ	HF45 8270	HF45 8270
330 Ω	HF45 5330	HF45 5330	300 kΩ	HF45 8300	HF45 8300
390 Ω	HF45 5390	HF45 5390	330 kΩ	HF45 8330	HF45 8330
430 Ω	HF45 5430	HF45 5430	390 kΩ	HJ35 8390	HF85 8390
470 Ω	HF45 5470	HF45 5470	470 kΩ	HF45 8470	HF45 8470
510 Ω	HF45 5510	HF45 5510	560 kΩ	HJ35 8560	HF85 8560
560 Ω	HF45 5560	HF45 5560	680 kΩ	HJ35 8680	HF85 8680
680 Ω	HF45 5680	HF45 5680	820 kΩ	HJ35 8820	HF85 8820
820 Ω	HF45 5820	HF45 5820	1.0 MΩ	HF45 9100	HF45 9100
910 Ω	HF45 5910	HF45 5910	1.2 MΩ	HJ35 9120	*
1.0 kΩ	HF45 6100	HF45 6100	1.5 MΩ	HJ35 9150	HF85 9150
1.2 kΩ	HF45 6120	HF45 6120	1.8 MΩ	HJ35 9180	HF85 9180
1.5 kΩ	HF45 6150	HF45 6150	2.2 MΩ	HJ35 9220	HF85 9220
1.8 kΩ	HF45 6180	HF45 6180	3.3 MΩ	HJ35 9330	HF85 9330
2.0 kΩ	HJ35 6200	HF85 6200	3.9 MΩ	HJ35 9390	*
2.2 kΩ	HF45 6220	HF45 6220	4.7 MΩ	HJ35 9470	HF85 9470
2.4 kΩ	HJ35 6240	HF85 6240			
2.7 kΩ	HF45 6270	HF45 6270			
3.0 kΩ	HF45 6300	HF45 6300			
3.3 kΩ	HF45 6330	HF45 6330			
3.6 kΩ	HJ35 6360	HF85 6360			
3.9 kΩ	HF45 6390	HF45 6390			
4.7 kΩ	HF45 6470	HF45 6470			
5.1 kΩ	HF45 6510	HF45 6510			
5.6 kΩ	HF45 6560	HF45 6560			
6.8 kΩ	HF45 6680	HF45 6680			
8.2 kΩ	HF45 6820	HF45 6820			
9.1 kΩ	HF45 6910	HF45 6910			



YST-FSW100

